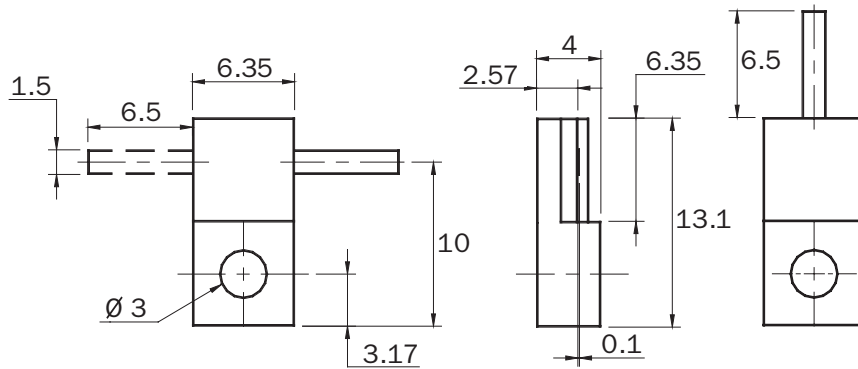
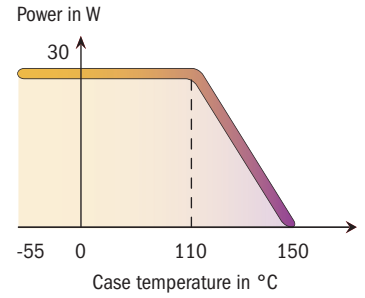




Standards
NF C 96-315
MIL-DTL-39030



Substrate	BeO
Resistive film	Thick film
Tab	Ag
Mounting flange/Plating	Cu/Ni
Cover substrate	Al ₂ O ₃



Dimensions in mm

P/N	Frequency (GHz)	Power (W)	Impedance (Ω ± 5%)	Max VSWR
17-3801	4	30	50	1.20
17-3181	4	30	50	1.20
17-0304	4	30	50	1.20

mm	inch
0.1	0.004
1.5	0.059
2.57	0.101
3	0.118
3.17	0.125
4	0.157
6.35	0.250
6.5	0.256
10	0.394
13.1	0.516